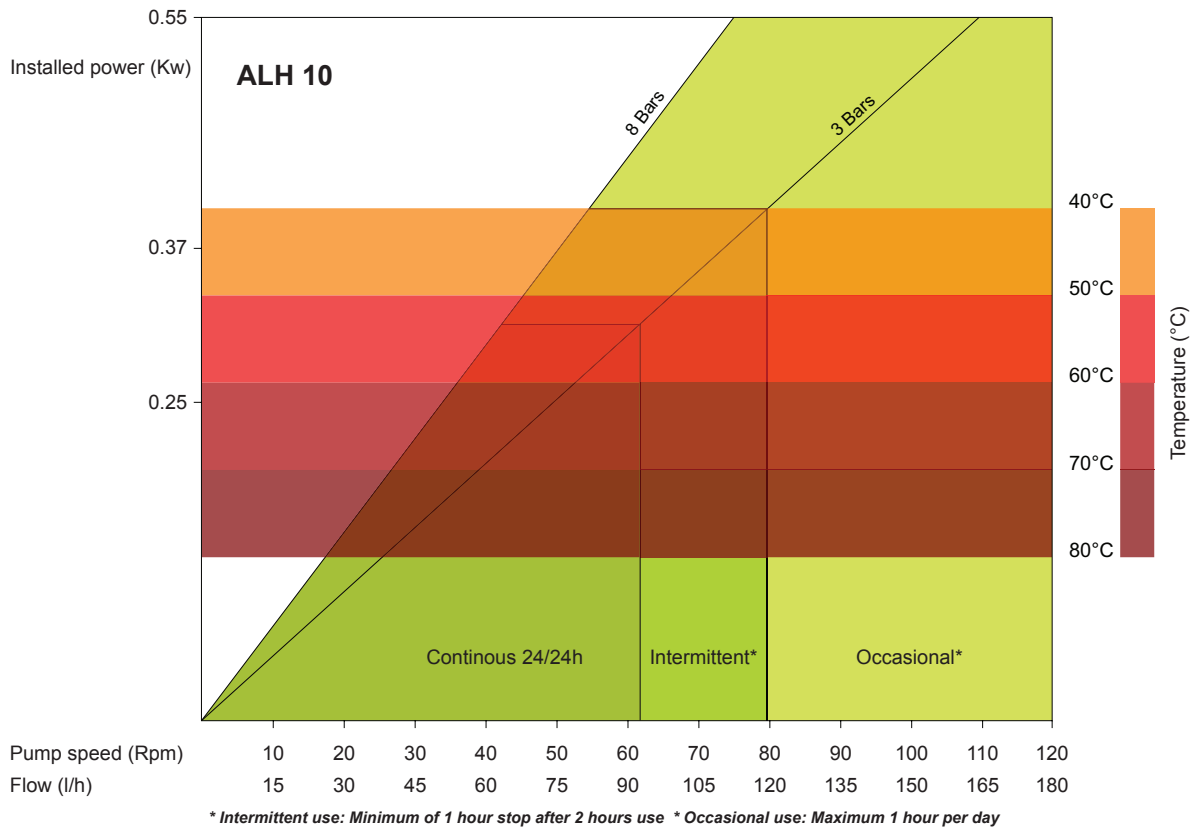
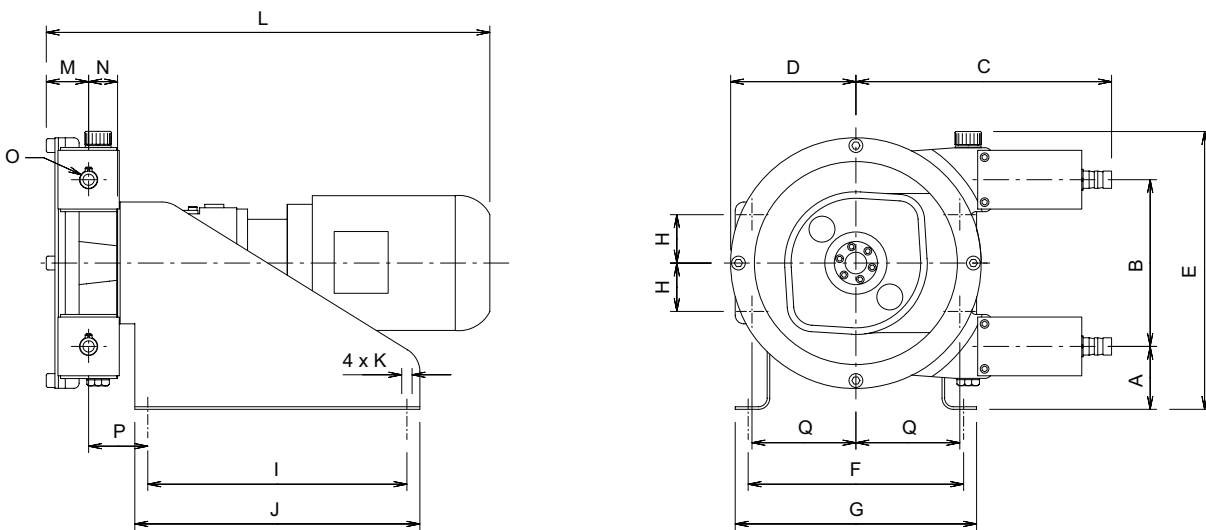


ALH 10 - TECHNICAL DATASHEET



Dimensions



* Hose tail

TYPE	A	B	C	D	E	F	G	H	I	J	K	L	M	N	O	P	Q
ALH 10	103,5	115	225,5	95	271	220	240	33,5	260	280	4xø9	-	43,5	34,5	ø16 *	64,5	81,25

ALL DIMENSIONS AND TECHNICAL DATA IS SUBJECT TO CHANGE WITHOUT NOTICE